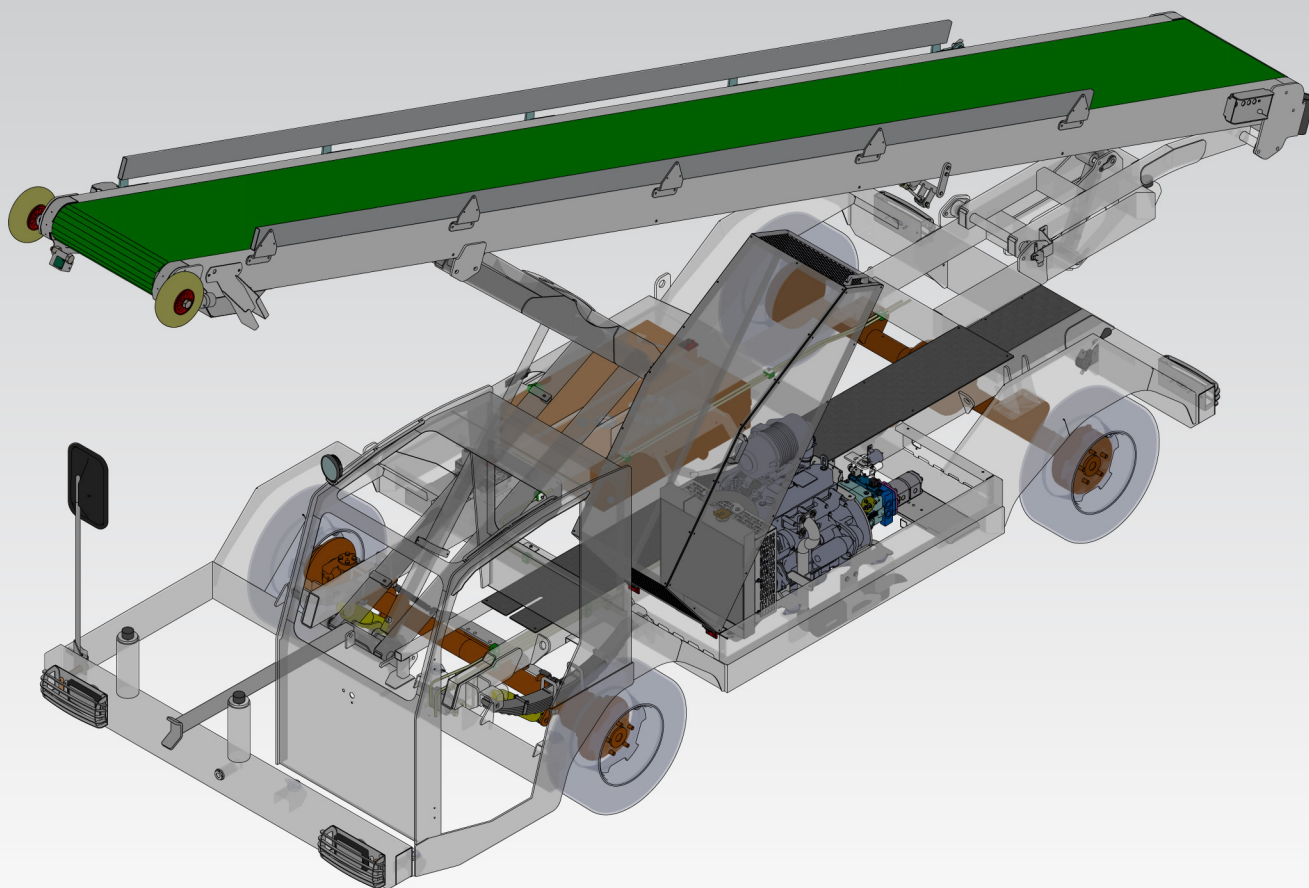


NEW PRODUCTS

Self-propelled Conveyor Belt Loader



NEWS

The continuous development program of research carried out by Darmec Technologies, has led to the definition and finalization of two new product in the GSE sector.

The new diesel self-propelled Conveyor Belt Loader with boom length between 6.45 to 8,00m, powered by a mechanical engine Yanmar 3TNV76 stage V 25 Hp/19 kW is characterized by its high performance and limited operating of maintenance costs, thanks to the absence of EGR and particulate filter.

Il programma di ricerca e sviluppo della Darmec Technologies ha portato alla definizione di unuovi prodotti per il settore GSE.

Nastro semovente diesel con lunghezza del braccio convogliatore da 6,45 a 8,00 m, alimentato da un motore meccanico Yanmar 3TNV76 stage V 25 CV/19 kW caratterizzato da ottime prestazioni e ridotti costi di esercizio e di manutenzione, grazie all'assenza di EGR e filtro antiparticolato.

GROUND SUPPORT
EQUIPMENT

MULTIFUNCTIONAL
EQUIPMENT

Darmec Technologies Srl
Soc. Uniper.

Strada Campovivo 454 int. 2
04100 Borgo Montello
Latina, Italy

T +39 0773 458 958
F +39 0773 053 112
M +39 391 760 4583

E info@darmec.it
W darmec.it

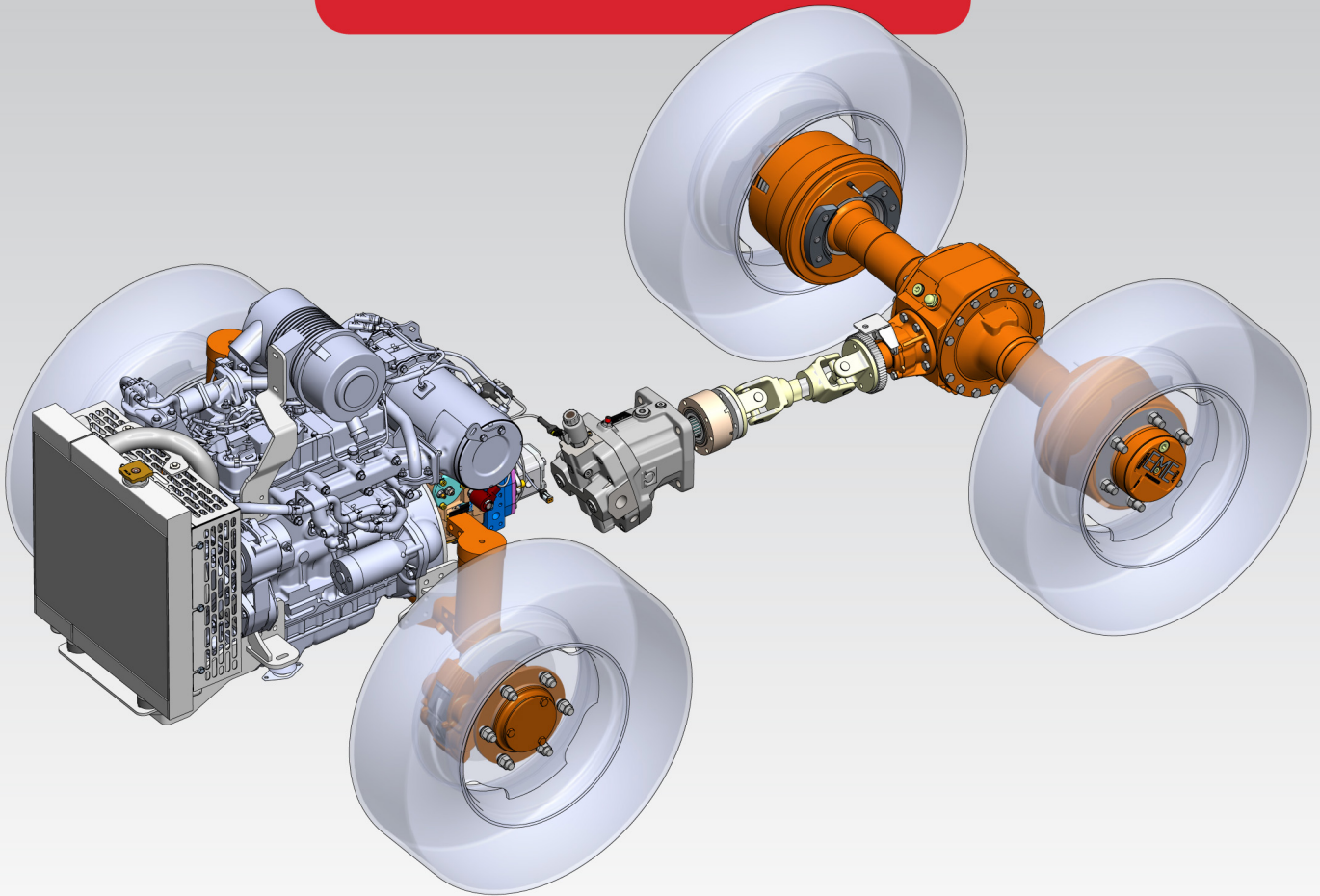


REGIONE
LAZIO



NEW PRODUCTS

Baggage Tractor



NEWS

The continuous development program of research carried out by Darmec Technologies, has led to the definition and finalization of two new product in the GSE sector.

Baggage Tractor with drawbar pull 25kn, variable capacity hydrostatic transmission electronically controlled, variable capacity hydraulic motor electronically controlled, independent front wheel with hydraulic suspensions; slow approaching. Available engines: PERKINS, YANMAR, ISUZU, KOHLER, DEUTZ.

Il programma di ricerca e sviluppo della Darmec Technologies ha portato alla definizione di unuovi prodotti per il settore GSE.

Trattore aeroportuale, sforzo al gancio 25KN, trasmissione idrostatica, comando elettrico, motore idraulico a portata variabile e controllo elettrico, sospensioni idrauliche indipendenti. The engine available are PERKINS, YANMAR, ISUZU, KOHLER, DEUTZ.

The logo for Darmec, featuring the word "DARMEC" in a bold, red, italicized sans-serif font. To the left of the text is a stylized graphic element consisting of three horizontal lines of varying lengths, suggesting motion or a wing.

**GROUND SUPPORT
EQUIPMENT**

**MULTIFUNCTIONAL
EQUIPMENT**

Darmec Technologies Srl
Soc. Uniper.

Strada Campovivo 454 int. 2
04100 Borgo Montello
Latina, Italy

T +39 0773 458 958
F +39 0773 053 112
M +39 391 760 4583

E info@darmec.it
W darmec.it



**REGIONE
LAZIO**



POR
2014-2020
REGIONE LAZIO