

CONVEYOR BELT LOADER

Towed
Electric

NTE



NT 550E
NT 645E
NT 725E
NT 800E

The towed conveyor belts loader are designed to load baggage and goods inside the aircraft hold; they are built on a sturdy chassis with a fixed rear axle and a rigid front axle connected to a rotating bearing coupling with tow bar and hook. The axle is equipped with a brake pad which comes activated by raising the tow bar in a vertical position and which is automatically operated in case of accidental unhooking. Depending on requirements, the conveyor belt can have a length from 5500 mm to 8000 mm.

The **NT** series is equipped with acetal resin modular belt with elastomer grip surface. The special feature of belt allows a high drainage capacity, minimizes water deposits and the possible formation of ice; it does not require tensioning and allows quick replacement even of small sections, thereby offering multiple benefits in terms of time and maintenance costs. The vehicle is powered by a 24V 250 Ah battery. On request, the equipment can be equipped with a motorized wheel and will include the most modern safety and damage prevention systems, including turtle and snail speed plus approaching; ultrasonic distance sensor for aircraft revelation and bumpers with sensor.

Optional extras include fixed or fold-down handrails H = 1000 mm, fixed or fold-down guide rails in aluminium H = 100 mm.

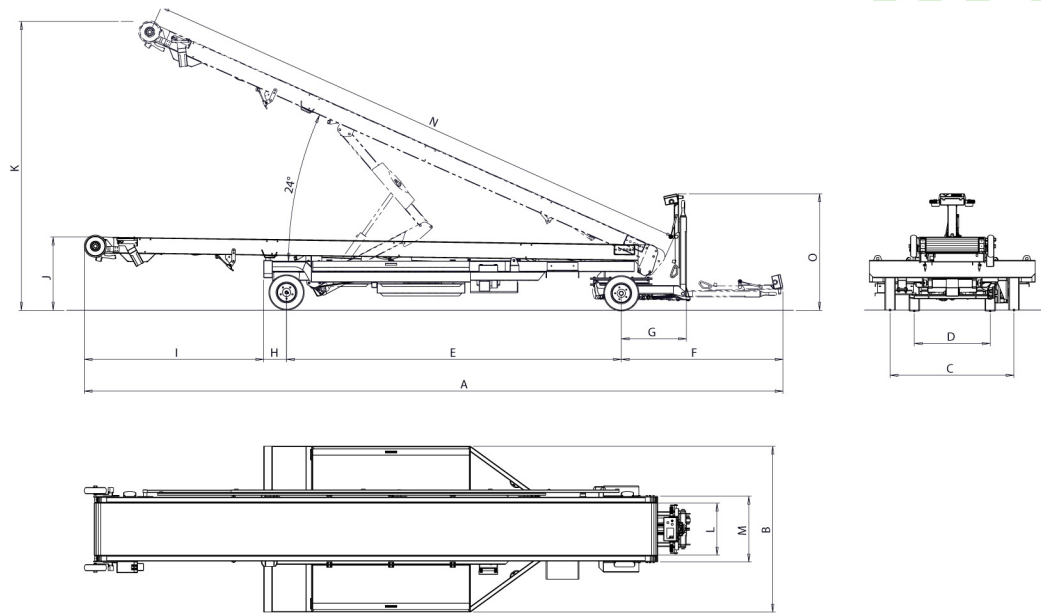


CONVEYOR BELT LOADER

Towed Electric

NTE

NT 550E
NT 645E
NT 725E
NT 800E



| | A | B | C | D | E | F | G | H | I | J | K | L | M | N | O | Mass |
|----------------|------|------|------|-----|------|------|-----|-----|------|-----|------|-----|-----|------|------|------|
| NT 550E | 6972 | 1880 | 1400 | 860 | 3795 | 1834 | 740 | 260 | 1083 | 795 | 2950 | 600 | 745 | 5500 | 1320 | 1570 |
| NT 645E | 7922 | 1880 | 1400 | 860 | 3795 | 1834 | 740 | 260 | 2033 | 795 | 3400 | 600 | 745 | 6450 | 1320 | 1650 |
| NT 725E | 8977 | 1880 | 1400 | 860 | 4624 | 1834 | 740 | 630 | 1889 | 795 | 3600 | 600 | 745 | 7250 | 1320 | 1850 |
| NT 800E | 9527 | 1880 | 1400 | 860 | 4624 | 1834 | 740 | 630 | 2439 | 795 | 3390 | 600 | 745 | 8000 | 1320 | 1850 |

Dimensions expressed in mm *Rear lifting scissor (option)

OTHER OPTIONAL

- Fixed or fold-down handrails 1000 mm
- Fixed or fold-down guide rails 100 mm
- Canopy
- Customization upon client's request



**GROUND SUPPORT
EQUIPMENT**

**MULTIFUNCTIONAL
EQUIPMENT**

Darmec Technologies Srl
Soc. Uniper.

Strada Campovivo 454 int. 2
04100 Borgo Montello
Latina, Italy

T +39 0773 458 958
F +39 0773 053 112
M +39 391 760 4583

E info@darmec.it
W darmec.it